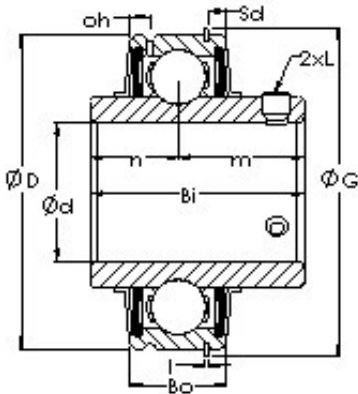




SNR BEARING Accessories LIMITED



AST ER209 Bearing unit

Bearing No. ER209

Bore Diameter	45 mm
Outer Diameter	85 mm
Bearing Type	Metric Bore Diameter
Bore Dia (d)	45.0000
Outer Dia (D)	85.0000
Outer Width (Bo)	28.0000
Inner Width (Bi)	49.2000
Dynamic Load Rating (Cr)	34,116
Static Load Rating (Cor)	21,275
Bearing Inner Race Width - Short Side (n)	19.0000
Bearing Inner Race Width - Extended Side (m)	30.2000
Bearing Collar Set Screw (L)	M8 X 1.0
Snap Ring Dia. (G)	91.4000
Snap Ring Location (Sd)	3.2000
Snap Ring Thickness (l)	1.7000
Relubrication Hole Location (oh)	6.0000
Shaft Dia., Nominal (d)	45.0000
Weight (g)	898.11

ER209 Bearing 2D drawings and 3D CAD models