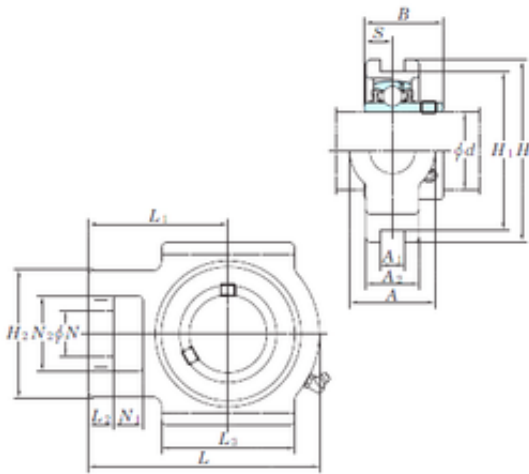




SNR BEARING Accessories LIMITED



KOYO UCT217-52E Bearing unit

Bearing No. UCT217-52E

Bore Diameter	82,55 mm
d	82,55 mm
L2	29 mm
L3	157 mm
A	89 mm
A1	46 mm
B	85,7 mm
H	198 mm
H1	173 mm
H2	124 mm
L	260 mm
L1	162 mm
N	48 mm
N1	38 mm
S	34,1 mm
A2	68 mm
N2	73 mm
Weight	12,1 Kg
Basic dynamic load rating (C)	84 kN
Basic static load rating (C0)	61,9 kN

UCT217-52E Bearing 2D drawings and 3D CAD models