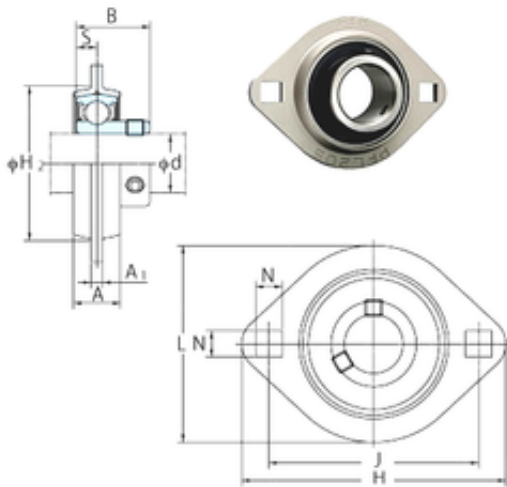




SNR BEARING Accessories LIMITED



SBPFL203 Bearing 2D drawings and 3D CAD models

FYH SBPFL203 Bearing unit

Bearing No. SBPFL203

Bore Diameter	17 mm
Width	22 mm
d	17 mm
A	14 mm
A1	4 mm
B	22 mm
H	81 mm
H2	49 mm
J	63,5 mm
L	59 mm
N	7,1 mm
S	6 mm
Bolt (G)	M6
Weight	0,19 Kg
Basic dynamic load rating (C)	9,55 kN
Basic static load rating (C0)	4,8 kN
Category	Bearings
Inventory	0.0
Manufacturer Name	FYH BEARING UNITS
Minimum Buy Quantity	N/A
Weight / Kilogram	0
Product Group	M06110